

Non-Managed Fast Ethernet Fiber Converter

FMC-10/100 FMC-10/100P



The FMC-10/100 family are Fast Ethernet 10/100Base-TX to 100Base-FX non-managed stand-alone media converters, which give you the options to choose from the most popular fiber cabling connectors, ST, SC, FC, or SFP-LC. Both multi-mode and single mode converter models are available as well as BiDi which allows bi-directional transmissions using only a single fiber cable. When auto-negotiation is selected, these units will automatically tailor themselves to convert both half-duplex and full-duplex signals, according to IEEE802.3u standards. LED indicators signal the power status of the converter, UTP port speed, Link, and duplex status, FX port Link and duplex status. These stand-alone converters may also be concentrated into either the FMC-CH08 or FMC-CH17 non-managed chassis.

Features

- 10/100Base-TX to 100Base-FX Converter
- Auto-Negotiation or forced mode
- Auto MDI/MDIX
- Forward 1600 bytes (Max.) packets
- Supports Q in Q double tagged frame transparent
- Supports IEEE 802.1q Tag VLAN pass thru
- Support flow control (Pause)
- Supports Link Fault Pass through (LFP)
- Forward 9K jumbo packets in converter mode
- Supports 802.3af Power over Ethernet (only FMC-10/100P)

Optical Interface

Connector	1x9 (SC, ST, FC)
Data rate	100Mbps
Duplex mode	Full duplex
Fiber	MM 50/125µm, 62.5/125µm. SM 9/125µm
Distance	MM 2km, SM 15/30/50/80/120km, WDM 20/40/60/80km
Wavelength	WDM 1310Tx/1550Rx (type A) 1550Tx/1310Rx (type B)

Electrical Interface

Connector	RJ45
Data rate	10Mbps, 100Mbps
Duplex mode	Half / Full duplex
Cable	10Base-T Cat.3, 4, 5, UTP, 100Base-TX Cat.5, 5e or higher

Standard

IEEE 802.3, IEEE 802.3u

Indications

LED (Power, FX Link, TX SPD, TX Link, TX Duplex, FEF)

Power Input

FMC: DC 12V In,
FMC-AC/DC: AC 100 ~ 240V/ DC 24 ~ 72V

Power Consumption

< 4W

Dimension

FMC: 108 x 74 x 23mm (D x W x H)
FMC-AC/DC: 192 x 86 x 30mm (D x W x H)

Weight

FMC: 120g, FMC-AC/DC: 550g

Temperature

0 ~ 50°C (Operating), -10 ~ 70°C (Storage)

Humidity

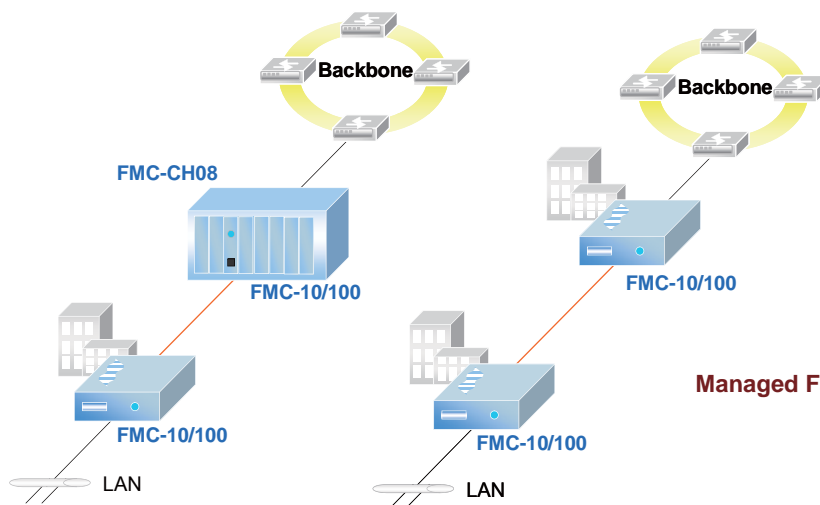
10 ~ 90% non-condensing

Certification

CE, FCC, RoHS

MTBF

65,000 hrs (25°C)



Managed Fast Ethernet Media Converter with POE



Ordering Information

FMC-□□□□□ Optional card

10/100
10/100P

Example: FMC-10/100